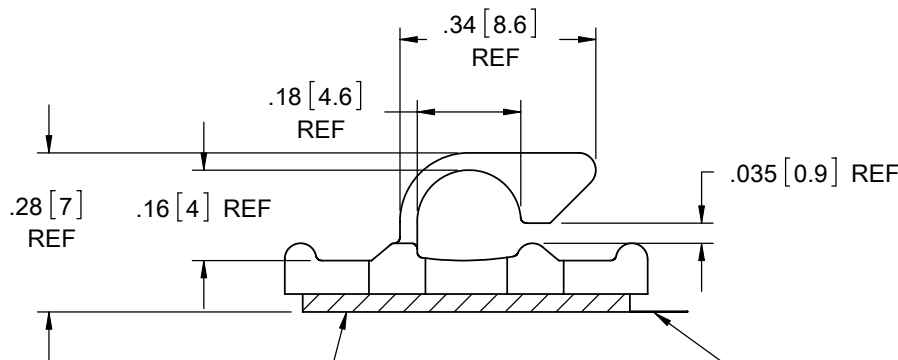
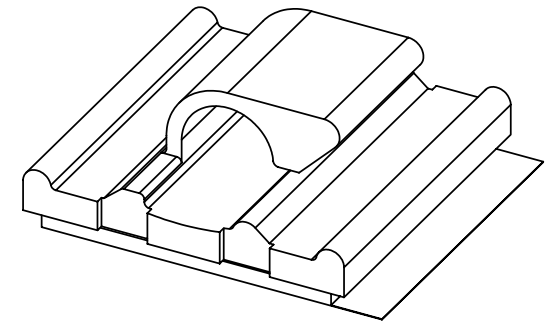
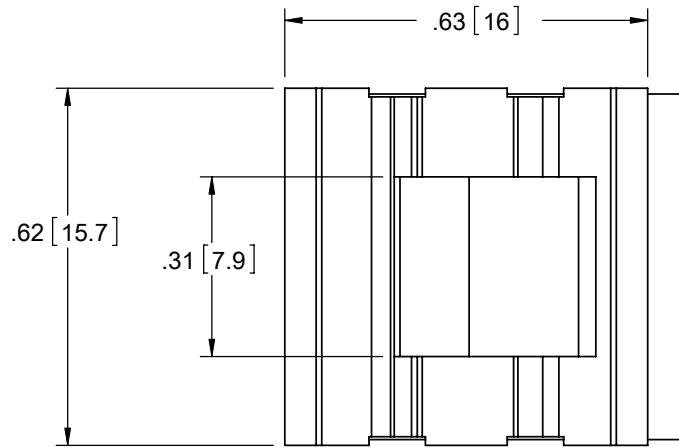


PART NO	ADHESIVE
WCK-180-01A-RT	ACRYLIC ADHESIVE TAPE (RMS-15)
WCK-180-01	WITHOUT TAPE



TYPICAL RELEASE  
TAB LOCATION

- NOTES:
- MATERIAL: NYLON 6/6 UL 94 V-2 (RMS-01).  
NYLON 6/6 UL 94 V-0 (RMS-19), AVAILABLE BY  
SPECIAL ORDER ONLY
  - COLOR: NATURAL.
  - RUBBER BASED ADHESIVE FOAM TAPE (RMS-102),  
AVAILABLE BY SPECIAL ORDER ONLY.  
TO ORDER REPLACE "-01A-RT" WITH "-01A1-RT"

TITLE: <b>WIRE CORD KLIP</b>					DWG IN IN [MM]	
CREATED USING SOLIDWORKS	FILE #: WCK-180	DWN: SK	APP: RT	FINAL		
TOLERANCES UNLESS NOTED .XX=±.010 .XXX=±.005 FRAC.=±1/64 ANG.=±1°	SHEET: 1 OF 1	SHEET SIZE: A	DT: 07/19/06	CHKD: DZ	PART #	PRINT TYPE
RE: <b>RICHCO, INC.</b>	<b>RICHCO, INC.</b> ENG@RICHCO-INC.COM (773) 539-4060		<b>SEE TABLE</b>		<b>CA</b>	

L	SEE CO 200058	SK	11/08/07
K	SEE ECN #1199 FOR CHANGES	SK	07/19/06
-	SEE ENG FOR REV A-J	---	----
REV.	DESCRIPTION	ENGR.	DATE